

## Important Safeguards:

1. Do not immerse unit in water or other liquids to protect against electrical hazards.
2. Do not use while bathing.
3. Not recommended for use while sleeping.
4. Close supervision is necessary for any appliance being used by or near children or the disabled.
5. Do not use this unit if cord or plug is damaged, the unit is not working properly, the unit has been dropped or damaged, or if the unit has been dropped in water.
6. Do not use parts or attachments not recommended by Lentek.
7. Do not plug in outdoors.
8. Never plug in or use on a soft surface such as a bed or sofa.
9. Keep cord away from heated surface.
10. Do not insert objects into any openings.
11. Do not handle hot surfaces (interior of unit or exterior of Fragrance Cartridge) unless proper cooling time is allowed.
12. Do not use for other than intended use.
13. Short power supply cord is provided to reduce the risk resulting from becoming entangled in or tripping over a longer cord.
14. Unit has a polarized plug to reduce risk of electric

shock, and is intended to fit in a polarized outlet only one way. If plug does not fit, reverse the plug. If it still does not fit, contact a qualified electrician. Do not modify plug in any way.

15. Extension cords may be used with care:
  - a. The marked electrical rating of the extension cord should be at least as great as the electrical rating of the unit.
  - b. If the appliance is grounded, the extension cord should be a grounding-type 3 wire cord.
  - c. The longer cord should be arranged so that it will not drape over the countertop or tabletop where it can be tripped over, snagged, or pulled unintentionally (especially by children).



**LENTEK INTERNATIONAL, INC.**  
PO Box 593812  
Orlando, FL 32859-3812

Phone: 407•857•8786  
Fax: 407•857•4045  
Toll Free: 888-3LENTEK  
E-Mail: customerservice@lentek.com

QUESTIONS call 888-3-LENTEK

visit us on the web: [www.lentek.com](http://www.lentek.com)

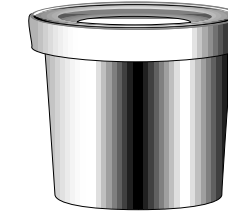


Creating Solutions for a Healthier Environment

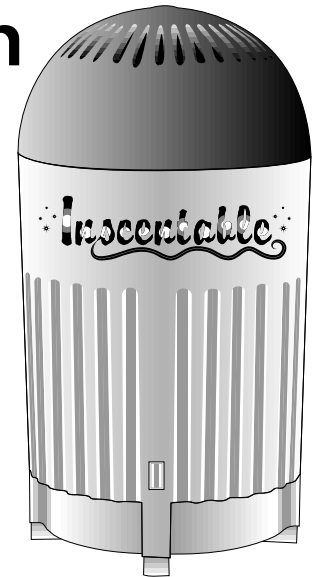
# Inscutable

## Home Fragrance System

## Instruction Guide

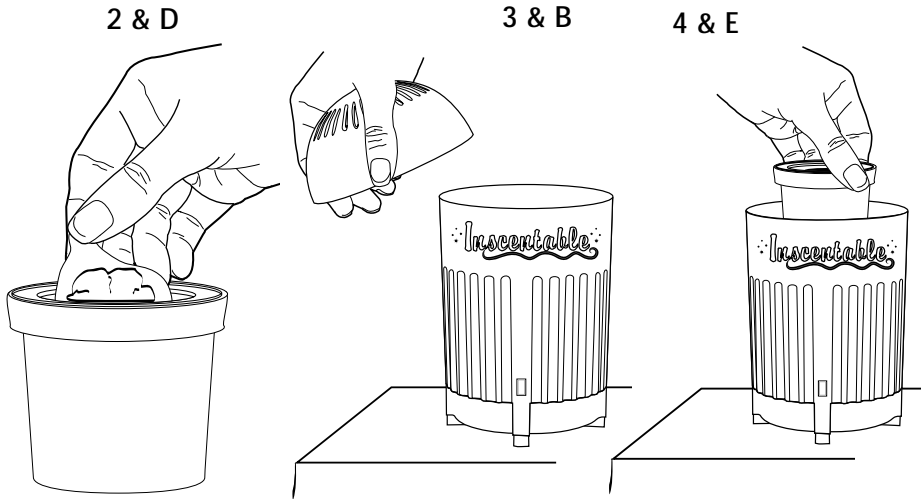


HF01



## To Set Up The Inscentable Unit:

1. Place unit on a sturdy and level flat surface. (Not suggested for use on glass tables or kitchen areas.)
2. Remove FOIL SEAL and COTTON PLUG from Fragrance Cartridge.
3. Remove dome cover from unit.
4. Place Fragrance Cartridge into well of unit.
5. Replace dome cover.
6. Plug unit into a standard polarized wall outlet.
7. Turn unit on and enjoy!

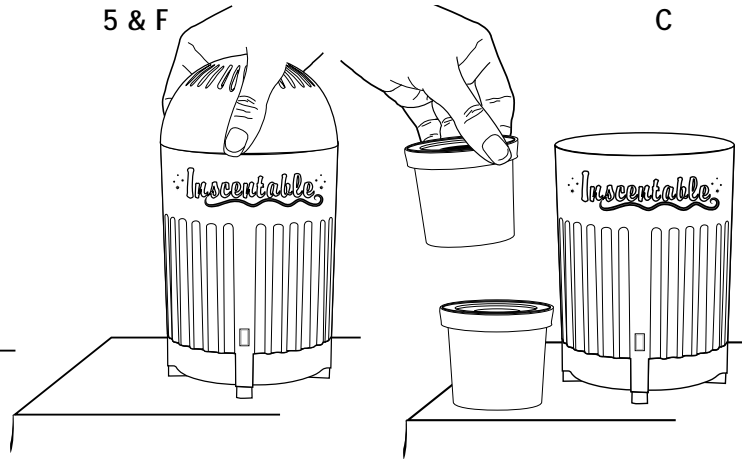


## To Replace The Fragrance Cartridge:

- A. Turn unit off and allow fragrance cartridge to cool for approximately 5-10 minutes.

**CAUTION:** Exterior of Fragrance Cartridge may be extremely hot if not allowed to cool.

- B. Remove dome cover from unit.
- C. Remove used Fragrance Cartridge and discard.
- D. Remove foil seal and cotton plug from new Fragrance Cartridge.
- E. Place new Fragrance Cartridge into well of unit.
- F. Replace dome cover.
- G. Turn unit on and enjoy your new fragrance!



## Suggestions For Best Results:

- If the unit emits a slight vibration sound while in operation, move unit to a more sturdy and level flat surface. You may also put unit on a book or object like a mouse pad.
- For best fragrance flow within a home or office, place the unit in a location that is heavily occupied and trafficked. Fragrance will not travel to offset rooms or hallways. Two diffuser units are recommended for multi-level homes.
- If you prefer to change fragrances daily, the Fragrance Cartridges may be stored indefinitely for future use. Simply allow cartridge to cool, remove, and place in a cool, dry area until ready to use again. Each Fragrance Cartridge provides approximately 90 hours of scent.
- The Vanilla Supreme Fragrance Cartridge requires a slightly longer time to begin diffusing scent due to its heavier and unique composition of scenting oils.
- If less fragrance is desired, simply turn the unit off. Some customers enjoy turning on device during set hours of the day.
- Unit may be used with a UL-approved appliance timer to automatically turn the unit on and off at specified times. This will conserve the Fragrance Cartridge when scent is not desired. A GREAT IDEA!