

## Warranty

This KOOLATRON product is warranted to the retail customer for 90 days from date of retail purchase, against defects in material and workmanship.

### WHAT IS COVERED

- Replacement parts and labour.
- Transportation charges to customer for the repaired product.

### WHAT IS NOT COVERED

- Damage caused by abuse, accident, misuse, or neglect.
- Transportation of the unit or component from the customer to Koolatron.

### IMPLIED WARRANTIES

Any implied warranties, including the implied warranty of merchantability are also limited to the duration of 90 days from the date of retail purchase.

### WARRANTY REGISTRATION

Register on-line at [www.koolatron.com](http://www.koolatron.com) AND keep the original, dated, sales receipt with this manual.

### WARRANTY AND SERVICE PROCEDURE

If you have a problem with your PRODUCT, or require replacement parts, please telephone the following number for assistance:

**North America 1-800-265-8456**

Koolatron has Master Service Centres at these locations:

#### **Koolatron U.S.A.**

4330 Commerce Dr.  
Batavia, NY 14020-4102 U.S.A.

#### **Koolatron Canada**

27 Catharine Ave.  
Brantford, ON N3T 1X5 Canada

A Koolatron Master Service Centre must perform all warranty work.



## FISH SPITTER KIT Pond Accent



[www.koolatron.com](http://www.koolatron.com)

©2009 Koolatron, Inc. All rights reserved. All specifications are subject to change without notice.

Made in China

H1S112

11/2009-v1



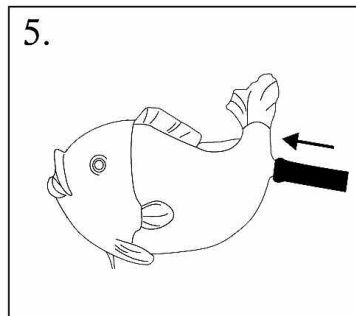
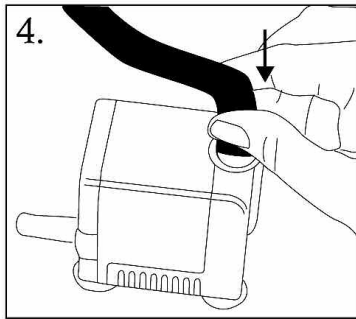
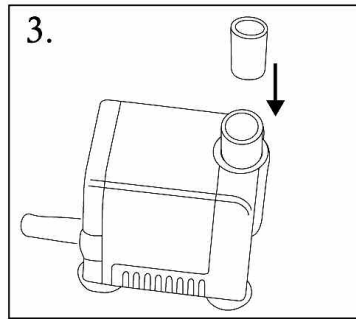
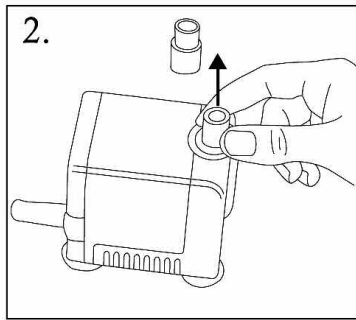
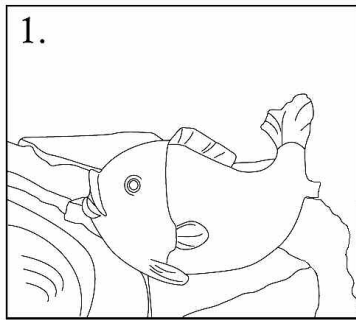
**FSK01  
User Manual**

*Please Read These Instructions Carefully Before Use!*

## PUMP AND SPITTER ASSEMBLY

1. Choose an area on the side of your pond where the spitter can sit level.
2. Remove the smaller adapter from the fountain pump. Please note, some force may be required.
3. Replace with the larger adapter. This is so the tubing will have a snug fit.
4. Place one end of the provided tubing onto the fountain pump with the newly placed adapter.
5. Place the other end of the tubing onto the inlet of the spitter.
6. Place the pump into the water and plug the outlet in and enjoy!

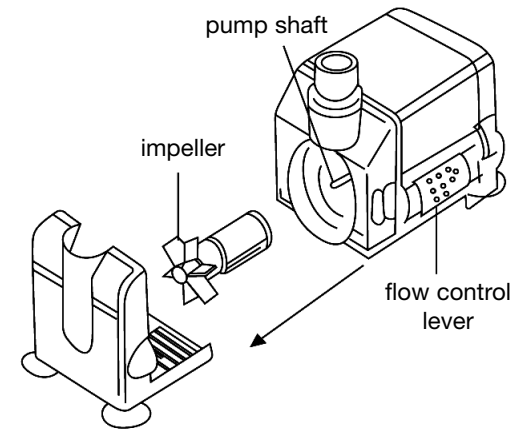
**NOTE:** Ensure that the electrical cord loops below the electrical outlet to form a “Drip Loop”. This will prevent water from running down the cord and into the electrical outlet.



## CARE AND MAINTENANCE

### Monthly maintenance will add to your pump's life.

- To clean the pump, remove the front cover and the impeller. Use a small brush or stream of water to remove any debris.
- The pump shaft cannot be removed. If the pump fails to operate check the following:
  - Check circuit breaker and try another outlet to ensure the pump is getting electrical power.
  - Check the pump discharge and tubing for kinks and obstructions. Algae build up can be flushed out with a garden hose.
  - Check the inlet to ensure it is not clogged with debris.
  - Remove the pump inlet to access the impeller area. Turn the rotor to ensure it is not broken or jammed.



## SAFETY

- Risk of electric shock - this pump is supplied with grounding conductor and plug. To reduce risk of electric shock, be certain that it is connected only to a properly grounded power outlet.
- Operate in freshwater only.
- DO NOT connect to any voltage other than that shown on the pump.
- Always disconnect from electrical outlet before handling the pump.
- DO NOT operate without water.
- Operate pump completely submerged for proper cooling.
- DO NOT let the pump run when not submerged in water. Doing so may damage the pump.
- Always submerge the pump in water first then plug into an electrical outlet.
- If less flow is desired, adjust the flow control lever on the side of the pump to restrict the discharge flow.
- The supply cord cannot be replaced. If the cord is damaged the pump should be scrapped.